

**doughXpress** Model No.

# DX-JN

## Semi-Automatic Dough Divider/Rounder



The DX-JN semi-automatic dough divider/rounder has four machines in one capability. The interchangeable head assemblies in either 36, 18, 9, or 6-part divisions allow fast accurate scaling and rounding of dough in weights ranging from 1 ounce up to 26 ounces each piece.

Examples: 36-part = 1 - 2-3/4 ounces each

18-part = 2 - 7 ounces each

9-part = 7 - 18 ounces each

6-part = 18 - 26 ounces each

When removed for cleaning or interchange, (no tools required), the entire head assembly can be placed into a sink or dishwasher for complete cleaning to a sanitary operating condition in just minutes per day.

Capable of dividing and rounding many types of Yeast Raised Dough including Bread & Bun dough, Tortilla & Pizza dough.

### DX-JN Semi-Auto Divider/Rounder Features:

- 4-in-1 Machine Capabilities
- Dividing/Rounding Head Assembly easily removed in seconds, without tools... for Total Cleanability and Interchange with Optional Divider head assemblies
- Versatility... 1-oz. up to 26 oz.
- Made in the U.S.A.
- 1 year full warranty.
- UL, NSF and USDA listed.

#### DIMENSIONS

Width: 26-13/16 inches, 68.07 centimeters

Height: 81-1/2 inches, 207.6 centimeters

Depth: 22 inches, 55.9 centimeters

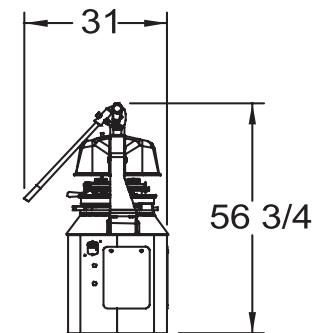
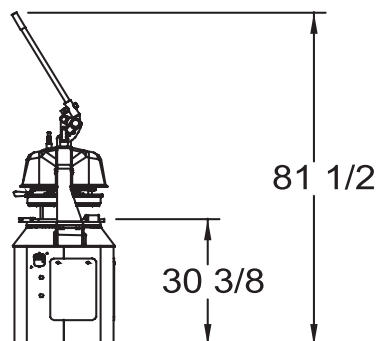
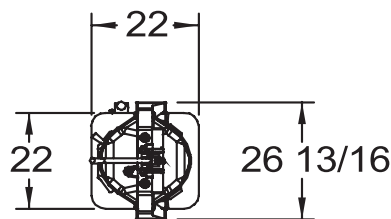
#### WEIGHT

Press Only: 449 lbs., 203.7 kg

Shipping: 493 lbs., 223.6 kg

#### ELECTRICAL

208-230V / 60 Hz / 3-ph. 3/4 h.p. 10 Amps



**doughXpress**  
HIX Corporation Food Division

Product improvement may require us to change specifications without notice.  
Revised April 2009

DOUGHXPRESS  
1201 E. 27th Terrace  
Pittsburg, KS 66762 USA

Toll Free: (800) 835-0606 ext.205  
Tel: (620) 231-8568 ext.205  
Fax: (866) 565-3189

[doughxpress@hixcorp.com](mailto:doughxpress@hixcorp.com) or visit [www.doughxpress.com](http://www.doughxpress.com)



USDA