

doughXpress

Model No. DXM-SSCP

Big Chick Manual Meat Press



The Big Chick stainless steel model is the fastest and easiest meat press to use. Set the thickness and it will give you consistent results every time, giving you a more consistent cook time and increasing center of the plate coverage.

The Big Chick has a swing out lower platen that makes loading and removing meat easy. It is perfect for chicken, pork or veal.

DXM-SSCP Manual Meat Press Features:

- Large 16" x 20" platens.
- Swing-out design for easy placement of your cutlets of chicken, pork or veal.
- Process up to six cutlets at a time.
- Can produce 700 to 1000 pieces per hour.
- Easy to clean stainless steel.
- Standard non-stick Xylan® coated platens.
- Stainless steel cart (model DXC3) with casters available.
- NSF listed.

DIMENSIONS

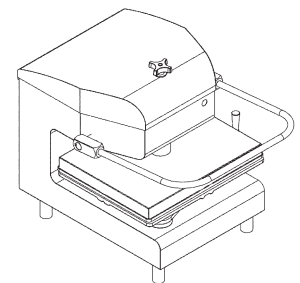
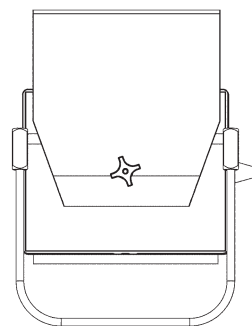
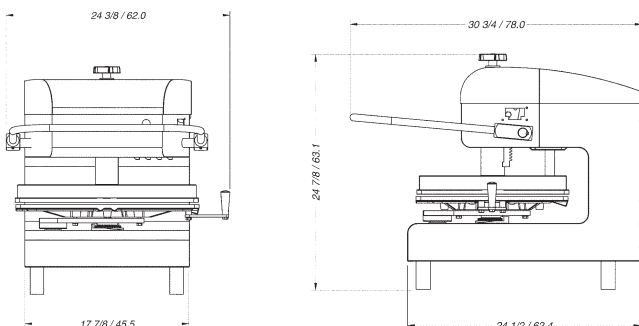
Width: 24-3/8 inches, 62 centimeters
Height: 24-7/8 inches, 63.1 centimeters
Depth: 24-1/2 inches, 62.4 centimeters

WEIGHT

Press Only: 205 lbs.
Shipping: 255 lbs.

EXTERIOR

Stainless Steel, Type 304
With #4 Polished Finish



doughXpress
HIX Corporation Food Division
Product improvement may require us to change specifications without notice.
Revised April 2009

DOUGHXPRESS
1201 E. 27th Terrace
Pittsburg, KS 66762 USA

Toll Free: (800) 835-0606 ext.205
Tel: (620) 231-8568 ext.205
Fax: (866) 565-3189

doughxpress@hixcorp.com or visit www.doughxpress.com