

**doughXpress**

Model No.

# DXSM-270C/CE

## Compact Bun & Bagel Slicer



The simple to use DXSM-270C/CE compact bun and bagel slicer will slice French Bread, Bagels, Hamburger Buns, Hoagies, Biscuits, Bread Sticks and so much more. Sturdy and solidly built, the DXSM-270C/CE can slice and/or hinge products as fast as the operator can feed them into the chute.

Ideal for Supermarkets, Bakeries, Schools, Delis, Sub Shops, Restaurants, Bagel Shops, Caterers and more.

### FEATURES INCLUDE:

- Adjustable for products up to 6" wide by 3" thick.
- Can slice through product or hinge product.
- Simple to operate for repeatable accuracy.
- Toolless removable chute for safe, easy cleaning without interference from the cutting blade.
- Stainless Steel food contact & White Powder Coated Finish non-food contact
- Extra Cutting Blades (P/N A4-037-0003)
- Two year warranty.
- NSF and UL Listed.

### DIMENSIONS

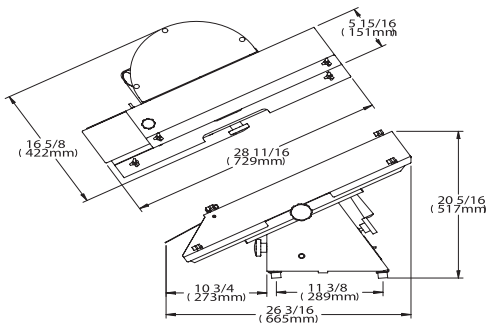
Width: 16-5/8 inches, 42.2 centimeters  
 Height: 20-5/16 inches, 51.7 centimeters  
 Depth: 26-3/16 inches, 66.5 centimeters

### WEIGHT

Press Only: 60 lbs.  
 Shipping: 87 lbs.

### ELECTRICAL

DXSM-270C	DXSM-270CE
115 Volt / 60 Hz	220-240 Volt / 60 Hz
8.7 Amps	4.8 Amps / 1-Phase
1725 rpm	1425 rpm
1/2 hp Motor	



**Complete Cut:**  
**Maximum:** 5-1/4" (13.33 cm)  
**From Bottom:** 1/2" to 1-1/2"  
 (1.27 - 38.1 cm)

**Adjustable for hinged cut on product up to:**  
 6" wide and 3" thick  
 (15.24 cm wide and 76.2 cm)



**doughXpress**  
**HIX Corporation Food Division**  
 Product improvement may require us to change specifications without notice.  
 Revised October 2009

**DOUGHXPRESS**  
 1201 E. 27th Terrace  
 Pittsburg, KS 66762 USA

Toll Free: (800) 835-0606 ext.205  
 Tel: (620) 231-8568 ext.205  
 Fax: (866) 565-3189

doughxpress@hixcorp.com or visit [www.doughxpress.com](http://www.doughxpress.com)